



## Wi-Fi Adapter RB 1310



### Contents:

Introduction.....	1
Technical parameters: .....	2
Connection:.....	2
Controlling via Tablet (Smartphone) .....	3
Connect your tablet (smartphone) directly to the WiFi Adapter RB 1310 .....	3
Connect your tablet (smartphone) trough Home Wi – Fi.....	4
Connecting the program to control the Railroad model on the PC .....	6

### Introduction

WiFi Adapter RB 1310 is designed to control Command Stations that are equipped with interfaces such as XpressNet<sup>®</sup>, LocoNet<sup>®</sup>. It simply connects Command Station with tablet (or smartphone) with RailBox: Railroad Control App installed (or another app, e.g. Roco z21<sup>®</sup>) or with PC via USB interface and LI100F protocol.

WiFi Adapter RB 1310 has one port XpressNet<sup>®</sup>, LocoNet<sup>®</sup>, micro USB and Wi-Fi module . Comes with Adapter cable suitable for both XpressNet<sup>®</sup> and LocoNet<sup>®</sup>

[www.railbox.pl](http://www.railbox.pl)

\*All trademarks and registered trademarks as well as names and photos of the products used in this documentation are the property of their owners

Download the App  
RailBOX: Railroad Control



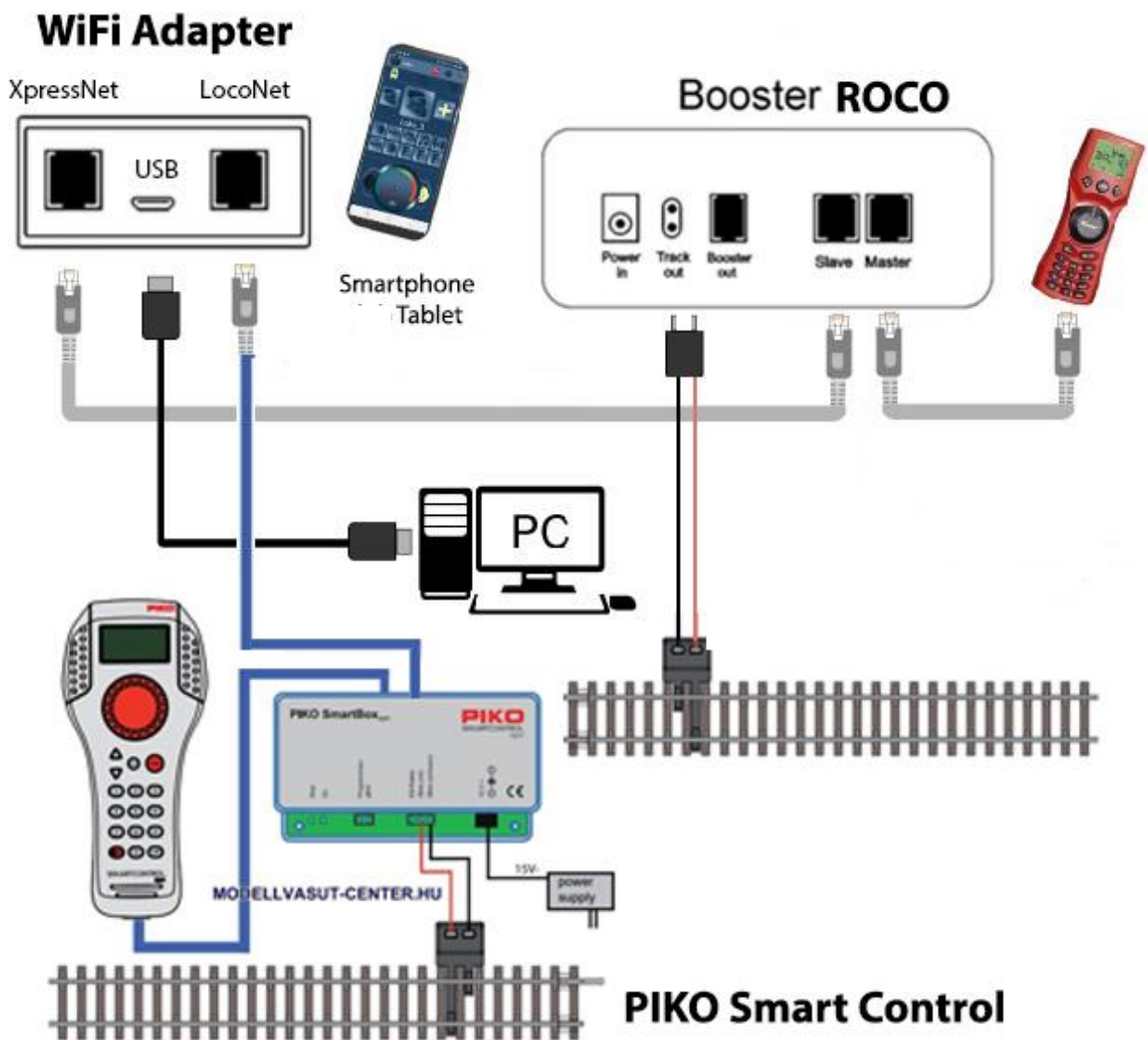


**Technical parameters:**

- Adapter dimensions-64 x 68 x 29mm
- Power supply via cable included in the package

**Connection:**

**Important:** Do not connect to the Xpressnet<sup>®</sup> and LocoNet<sup>®</sup> interfaces simultaneously



[www.railbox.pl](http://www.railbox.pl)

\*All trademarks and registered trademarks as well as names and photos of the products used in this documentation are the property of their owners

Download the App  
RailBOX: Railroad Control





**Controlling via Tablet (Smartphone)**

You can connect your tablet (smartphone) to the WiFi Adapter RB 1310 in two ways:

- Directly to the WiFi Adapter RB 1310. This is the easiest way, but some types of tablets and smartphones may lose connection to the PBX because they are "looking for" an Internet connection.
- Using your home Wi-Fi network. A slightly more advanced way, however, allows you wirelessly control the Railroad model from a PC using the appropriate software, e.g. Traincontroller, GBBkolejka using the LenzLAN protocol.

**Connect your tablet (smartphone) directly to the WiFi Adapter RB 1310**

This is the easiest way to set up your smartphone to control the Railroad model. Follow next configuration steps:

<ul style="list-style-type: none"> <li>• Install the application " RailBOX: Railroad Control " from Google Play</li> <li>• Turn on WiFi Adapter RB 1310, open the App</li> </ul>	
<ul style="list-style-type: none"> <li>• Click on the Wi-Fi icon in the upper right corner of the screen</li> <li>• Connect your smartphone to the WiFi network of the Adapter RB 1310 named "RAILROAD" by entering the password "12345678".</li> </ul>	





<ul style="list-style-type: none"> <li>Go back and continue by entering the "Configuration" tab</li> <li>Type the value "192.168.4.111" in the "IP address" field and click "RECONNECT" button.</li> <li>Now the Wi-Fi icon should be green indicating that the connection to WiFi Adapter RB 1310 is active. You can try to press "Stop" button and check whether WiFi Adapter RB 1310 will respond to this command.</li> </ul>	
--	--

Connect your tablet (smartphone) trough Home Wi – Fi

<p>Connect PC or laptop to WiFi Adapter RB 1310 (Name: RAILROAD, Password: 12345678)</p>	
<ul style="list-style-type: none"> <li>Open your browser and type 192.168.4.111. If the PC connected to the RAILROAD network, the Railbox WiFi configuration page should open.</li> <li>Type the name and password of your home Wi-Fi network in the SSID and password field.</li> </ul>	





- Press "Send" and wait for the page to refresh. When connected to a home Wi-Fi network:
  - The " Status "field will display" Connected "and the" IP " field will indicate the current WiFi IP address of Adapter RB 1310 on your home Wi-Fi network.
- In case of "Disconnected" status, check the connection status and press "Send" again or check if the network name and password are correct.

Settings saved.

---

RailBOX Electronics [www.railbox.pl](http://www.railbox.pl)

### WiFi client

Status: **Connected**

DHCP

IP:

Gateway:

Netmask:

SSID:

Password:

**Important:** The IP address of WiFi adapter RB 1310 is generated automatically by the home network router and can be changed the next time you connect Wifi Adapter RB 1310 to your home network. To avoid this, add WiFi Adapter RB 1310 to the static IP address pool in your Wi-Fi home router configuration. You can try to continue using the IP that was generated automatically, so turn off DHCP mode and press "Send" again

### WiFi client

Status: Connected

DHCP

IP:

- Now connect your smartphone or tablet to your home Wi-Fi network and type the current IP address of WiFi Adapter RB 1310 in the RailBOX: Railroad Control application (see "connect your tablet (smartphone) directly to WiFi Adapter RB 1310 ").

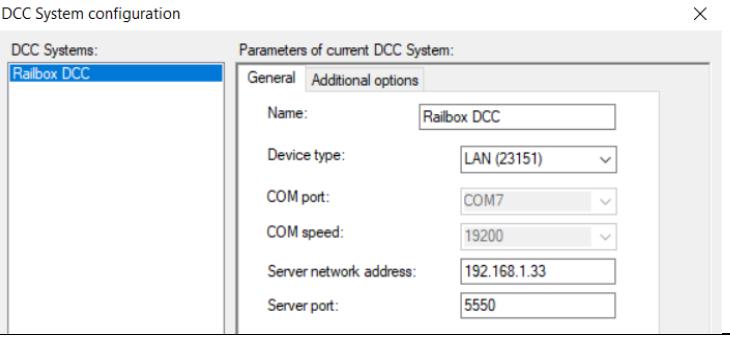




## Connecting the program to control the Railroad model on the PC

WiFi Adapter RB 1310 can control model railroad through various programs, for example, TrainController, Rocrail, GBBKolejka, etc.

There are two ways to connect WiFi Adapter RB 1310 to a PC (see the GBBkolejka configuration example below):.

<p>Using a USB cable (Lenz LI100F Protocol). Before connecting you need to install the device drivers located here:                  STM32VirtualComPortDriver.zip  <a href="https://yadi.sk/d/pxf3HCOF3SQCRm">https://yadi.sk/d/pxf3HCOF3SQCRm</a></p>	
<p>Using LenzLAN Protocol: WiFi Adapter RB 1310 should be on the local network of the PC.</p>	